

Oval Doors - PED Compliant Doors

P06 -A18

Oval shaped manhole door, AISI 304 or AISI 316/L stainless steel.

Inward opening

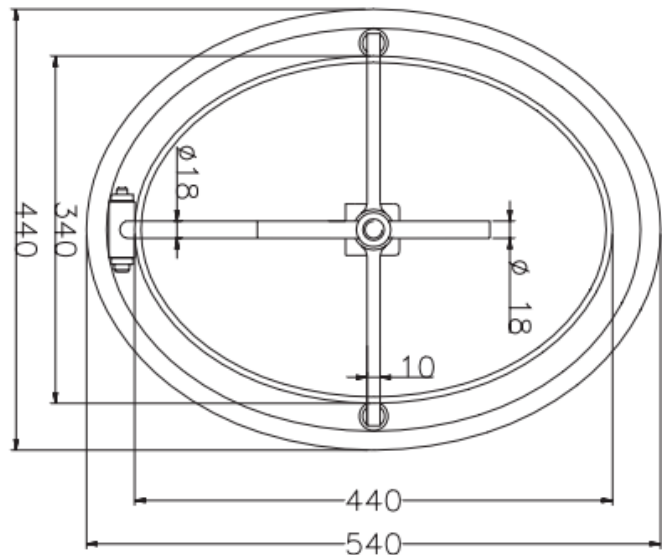
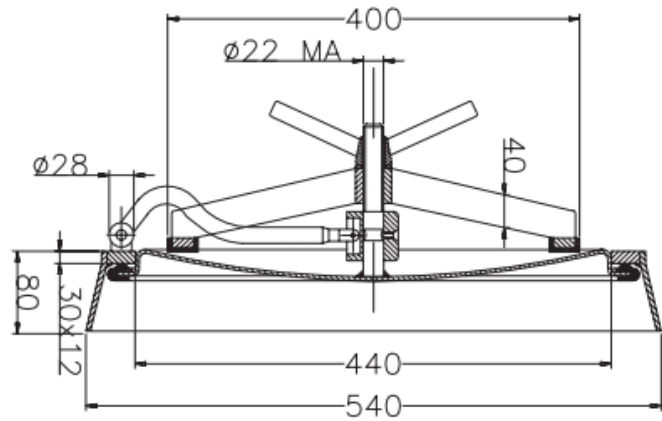
Frame fabricated in flat stainless steel

Access 440 x 340 mm

Maximum Frame Height 160 mm

Certification PED

Working Pressure 8.0 Bar



This Data Sheet refers to the material as supplied. The information contained herein is given in good faith, but no liability will be accepted by the Company in relation to same. We reserve the right to change the details given on this Data Sheet as additional information is acquired. Customers requiring the latest version of this Data Sheet should contact our sales department.

Unit N2, Gildersome Spur, Gildersome, Leeds, LS27 7JZ | Tel: 0113 252 6712 | Email: info@manways.co.uk | www.manways.co.uk